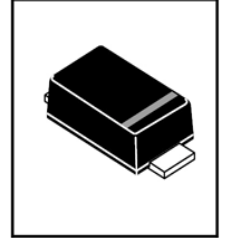


**特性/机械性能:**

**FEATURES/MECHANICAL DATE**

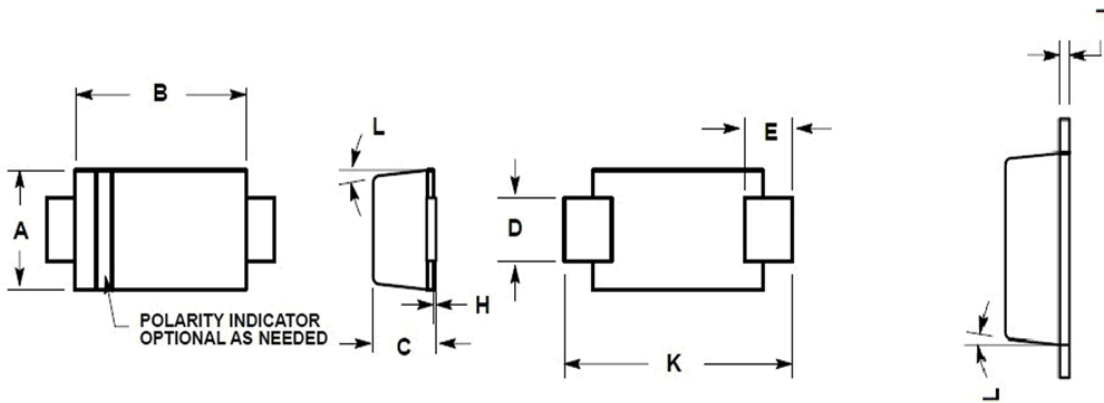
- ◆ Low forward voltage.
- ◆ Fast switching time.
- ◆ Surface mount package ideally suited for automatic insertion.
- ◆ Schottky barrier detector and switching diodes



SOD-123

**产品外形尺寸:**

**Product appearance size**



DIM	MILLIMETERS		INCHES	
	MIN	MAX	MIN	MAX
A	1.50	1.80	0.059	0.071
B	2.50	2.90	0.098	0.114
C	0.90	1.20	0.035	0.047
D	0.70	1.10	0.028	0.043
E	0.50	0.95	0.020	0.037
H	0.00	0.10	0.000	0.004
J	0.10	0.20	0.004	0.008
K	3.40	3.90	0.134	0.154
L	0°	8°	0°	8°

**最大额定值及电气特性**
**MAXIMUM RATINGS AND CHARACTERISTICS**

Parameter	Symbol	Limits	Unit
Non-Repetitive Peak Reverse Voltage	$V_{RM}$	30	V
Working Peak DC Reverse Voltage	$V_{RWM}$		
	$V_R$		
RMS Reverse Voltage	$V_{R(RMS)}$	21	V
Forward continuous Current	$I_F$	200	mA
Repetitive peak Forward Current	$I_{FRM}$	500	mA
Forward Surge Current	$I_{FSM}$	4.0	A
Power Dissipation	$P_d$	200	mW
Thermal Resistance Junction to Ambient air	$R_{\theta JA}$	625	$^{\circ}C/W$
Junction temperature	$T_j$	125	$^{\circ}C$
Storage Temperature range	$T_{stg}$	-55-125	$^{\circ}C$

**ELECTRICAL CHARACTERISTICS @  $T_a=25^{\circ}C$  unless otherwise specified**

Parameter	Symbol	Conditions	MIN.	Typ.	MAX.	Unit
Reverse breakdown voltage	$V(BR)_R$	$I_R=100\mu A$	30			V
Forward voltage ALL types BAT42W BAT42W BAT43W BAT43W	$V_F$	$I_F=200mA$			1.0	V
	$V_F$	$I_F=10mA$			0.4	V
	$V_F$	$I_F=50mA$			0.65	V
	$V_F$	$I_F=2mA$	0.26		0.33	V
	$V_F$	$I_F=15mA$			0.45	V
Reverse current	$I_R$	$V_R=25V$			0.5	$\mu A$
Reverse recovery time	$t_{rr}$	$I_F=I_R=10mA$ $I_{rr}=0.1 \cdot I_R$ $R_L=100\Omega$			5.0	ns
Capacitance between terminals	$C_T$	$V_R=1V, f=1MHz$			10	pF